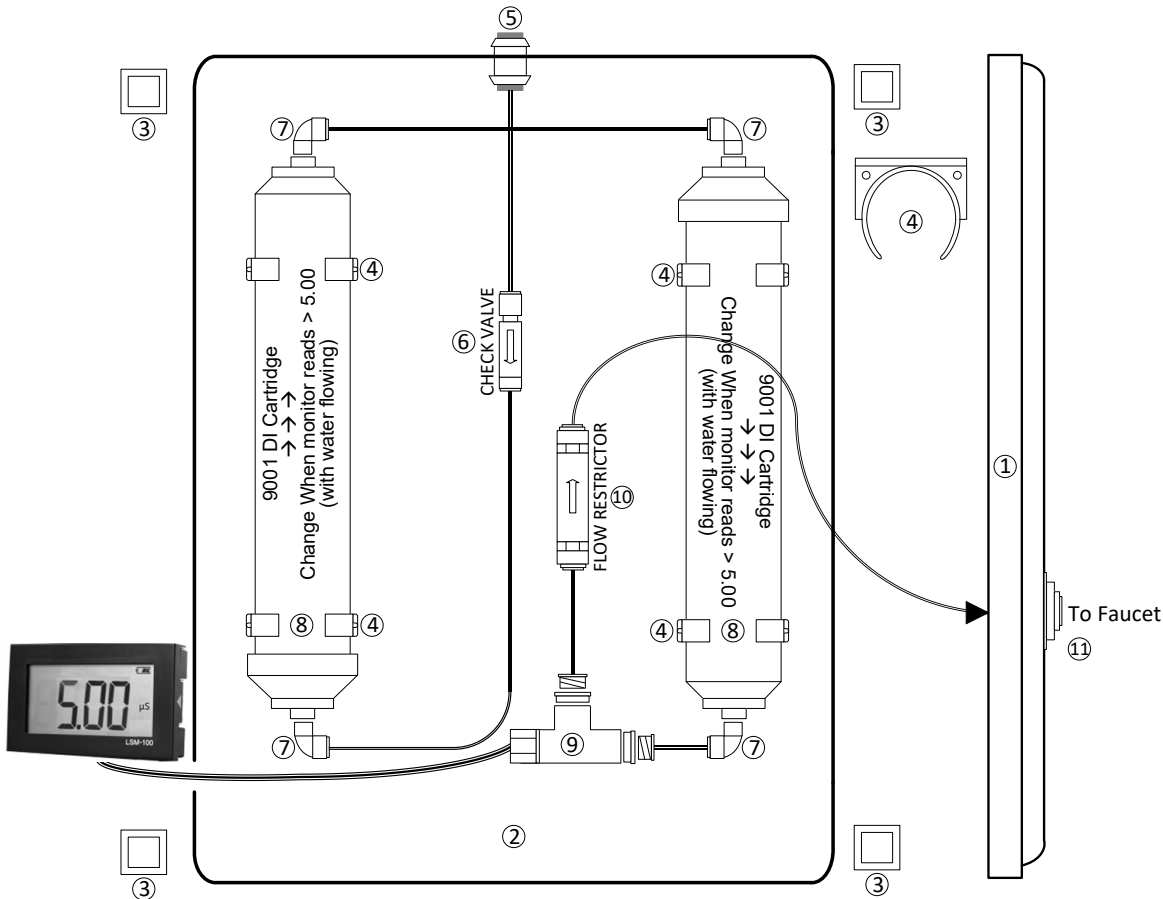


# EZEKLEEN 2.5

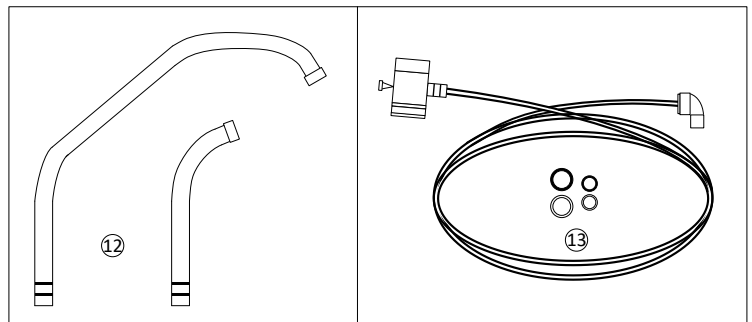
## Distillation Alternative

Model: 9000

### INTERNAL COMPONENTS DIAGRAM



- 1. #9009 Eze Kleen 2.5 Cover
- 2. #9009-1 Eze Kleen 2.5 Case
- 3. #9011 Eze Kleen 2.5 Bumpers
- 4. #9012 Eze Kleen 2.5 Cartridge Clips
- 5. #9022 Eze Kleen 2.5 1/4" X 1/4" Bulkhead Union
- 6. #9008 Eze Kleen 2.5 Check Valve
- 7. #9006 Eze Kleen 2.5 Slip in Elbow
- 8. #9001 Eze Kleen 2.5 DI Cartridges
- 9. #9014-LSM-100 Eze Kleen 2.5 Monitor
- 10. #9018 Eze Kleen 2.5 Flow Restrictor
- 11. #9021 Eze Kleen 2.5 1/4" X 3/8" Bulkhead Union
- 12. #9010 Eze Kleen 2.5 Accessories Kit
- 13. #9027 Eze Kleen 2.5 Diverter Kit



15531 - 24th Avenue, Unit 24, Surrey, BC V4A 2J3 • Ph: (800) 338-6693 • (604) 538-1285 • Fax: (604) 538 - 1295

© 2009-2024 Oasis Dental Group Inc.™  
www.oasisdentalgroup.ca